

ICE MACHINE

REFRIGERATOR

BAKERY SHOWCASE

DISH WASHER

COMMERCIAL KITCHEN EQUIPMENT

PRODUCT CATALOG
2022 & 2023

BLUENIX

Lassele
your first selection

17, MTV 3-ro, Danwon-gu, Ansan-si, Gyeonggi-do, 15658, Republic of Korea
T. +82-31-364-8944 F. +82-31-491-1603 Email. sales@bluenix.com



Official Partners



BLUENIX

Lassele
your first selection

BLUENIX by LASSELE 42-year History

From LASEELE to BLUENIX, Since 2021 Nov. We changed our brand name to BLUENIX, meaning "discovering a new market with advanced technology that is one step ahead of others".
Expanded factory's scale to become a leader in the fields of commercial kitchen manufacturers with increased production capacity and advanced facilities.



1980~	2000~	2022
<p>Nov 1981 DAEYEONG Engineering founded</p> <p>May 1983 Started a partnership with Samsung Electronics</p>	<p>Mar 1993 Lassele sales company founded</p> <p>Mar 1997 Lassele was launched as a brand</p> <p>Jul 2000 Lassele customer service company founded</p> <p>Feb 2015 DAEYEONG Vina founded in Vietnam</p>	<p>Nov 2015 DAEYEONG Mexico founded in Mexico</p> <p>Nov 2018 U.S. sales branch founded in Gardena, CA Brand name : Blue air</p> <p>Aug 2019 Initiated a partnership with NEXTracker (DAEYEONG Electronics in China)</p> <p>Nov 2021 moved a new headquarter and a factory and changed the company name to "BLUENIX"</p>

Trusted by the Trade!
Millions of Units Sold Globally

USA	Russia	Chile	China	Thailand	Fiji	Iran
Canada	Australia	Colombia	Japan	Malaysia	Kazakhstan	Kuwait
England	Tahiti	Ecuador	Hongkong	Vietnam	Mexico	UAE
Netherlands	Brazil	Panama	Singapore	Philippines	Saudi Arabia	Lebanon

G2 LINE THE SECOND GENERATION



ICE MACHINE

- 01** G2 LINE UP
- 02** SELF-CONTAINED / MODULAR ICE MACHINE AND STORAGE BIN
- 03** WATER FILTRATION SYSTEM

G2 LINE UP

THE SECOND GENERATION

Enhanced Durability

- Polyurethane insulation to prevent condensation
- Sensitive water level sensor with ultrasonic welding float
- New evaporator cover structure



Easy-access ergonomic sliding door



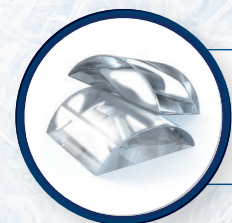
- Stainless steel evaporator without rust or corrosion
- Additional brackets between evaporator plates
- Evaporator 3-year warranty

Better Performance

- Front breathing system to secure extra space
- New condenser and water pump motor with higher capacity
- New pipe structure
- Compressor 3-year warranty

Smart Display

- Elapsed time displayed
- Automatic one button cleaning and sanitizing
- Error codes indicated/Self-diagnosis
- Automatic evaporator temperature control
- Automatic harvest time control by reading ambient temperature



CRESCENT ICE

- The ice lasts longer and makes drinks colder
- More ice, less beverage in a cup



SELF-CONTAINED ICE MACHINE



LUI-100A-G2

- W500 x D600 x H810
- Daily Production : 45kg
- Storage : 25kg
- Refrigerant : R-134a



LUI-150A-G2

- W635 x D708 x H975
- Daily Production : 68kg
- Storage : 30kg
- Refrigerant : R-134a



LUI-250A-G2

- W763 x D763 x H978
- Daily Production : 113kg
- Storage : 42kg
- Refrigerant : R-404A



BLNI-270A

- W405 x D605 x H893
- Daily Production : 120kg
- Refrigerant : R-404A



Nugget ICE

MODULAR ICE MACHINE



LMI-300A-G2

- W558 x D696 x H778
- Daily Production : 137kg
- Refrigerant : R-404A



LMI-500A-G2

- W558 x D696 x H778
- Daily Production : 210kg
- Refrigerant : R-404A



LMI-500AD-G2

- W762 x D610 x H560
- Daily Production : 236kg
- Refrigerant : R-410A



LMI-650A-G2

- W558 x D696 x H958
- Daily Production : 329kg
- Refrigerant : R-410A



LMI-900A-G2

- W762 x D696 x H958
- Daily Production : 389kg
- Refrigerant : R-410A

STORAGE BIN



LB-300S

- W558 x D825 x H1174
- Storage : 145kg



LB-500S

- W762 x D825 x H1174
- Storage : 208kg



LMI-300A(500A)-G2
installed on LB-300S



LMI-650A-G2
installed on LB-500S

WATER FILTRATION SYSTEM



DH-S1 (1um)

- Capacity : 79,494L



DH-S2 (1um)

- Capacity : 158,988L



DH-S3 (1um)

- Capacity : 238,482L



DH-R1 (1um)

- Capacity : 79,494L

REFRIGERATOR

01 ASIAN STANDARD REACH-IN / UNDERCOUNTER

02 AMERICAN STANDARD REACH-IN / UNDERCOUNTER

03 GASTRONORM_GN MODEL EUROPEAN STANDARD REACH-IN / UNDERCOUNTER

04 OTHER PRODUCTS



ASIAN STANDARD REACH-IN

· Temperature Range (Refrigerator: 0°C~7°C / Freezer: -24°C~-3°C)
· International Voltage

TOP MOUNT Long door, Glass door options available



LR-681PC **LF-681PC**

- W640 x D800 x H1830
- Capacity : 505L / 500L
- Refrigerant : R-134a



LR-1381PC **LF-1381PC**

- W1260 x D800 x H1830
- Capacity : 1081L / 1053L
- Refrigerant : R-134a



LR-1981PC **LF-1981PC**

- W1900 x D800 x H1830
- Capacity : 1667L / 1633L
- Refrigerant : R-134a



LRF-1382PC

- W1260 x D800 x H1830
- Capacity : 1014L (Ref 510L / Fre 504L)
- Refrigerant : R-134a



LRT-771H **LFT-771H**

- W681 x D787 x H2092
- Capacity : 620L
- Refrigerant : R-134a / R-404A



LRT-1471H **LFT-1471H**

- W1370 x D787 x H2092
- Capacity : 1270L
- Refrigerant : R-134a / R-404A



LRT-72H **LFT-72H**

- W2060 x D787 x H2092
- Capacity : 1950L
- Refrigerant : R-134a / R-404A



ASIAN STANDARD UNDERCOUNTER

· Temperature Range (Refrigerator: 0°C~7°C / Freezer: -24°C~-3°C)
· International Voltage

SIDE MOUNT UNDERCOUNTER Depth in 600&750mm and Wide door options available



LNRT-1B-900

LNFT-1B-900

- W900 x D700 x H850
- Capacity : 213L
- Refrigerant : R-134a



LNRT-2B-1200

LNFT-2B-1200

- W1200 x D700 x H850
- Capacity : 300L
- Refrigerant : R-134a



LNRT-2B-1500

LNFT-2B-1500

- W1500 x D700 x H850
- Capacity : 411L
- Refrigerant : R-134a / R-404A



LNRT-3B-1800

LNFT-3B-1800

- W1800 x D700 x H850
- Capacity : 521L
- Refrigerant : R-134a / R-404A

SIDE MOUNT UNDERCOUNTER - DRAWER Drawer and door combination options available



LNRT-1B-90-V

- W900 x D700 x H850
- Capacity : 213L
- Refrigerant : R-134a



LNRT-2B-12-VV

- W1200 x D700 x H850
- Capacity : 300L
- Refrigerant : R-134a



LNRT-2B-15-VV

- W1500 x D700 x H850
- Capacity : 411L
- Refrigerant : R-134a



LNRT-3B-18-VV

- W1800 x D700 x H850
- Capacity : 521L
- Refrigerant : R-134a



ASIAN STANDARD UNDERCOUNTER

· Temperature Range (Refrigerator: 0°C~7°C / Freezer: -24°C~-3°C)
· International Voltage

SIDE MOUNT SALAD PREP TABLE Wide door option available



LSRT-1B-900

- W900 x D700 x H850
- Capacity : 197L
- Refrigerant : R-134a



LSRT-2B-1200

- W1200 x D700 x H850
- Capacity : 296L
- Refrigerant : R-134a



LSRT-2B-1500

- W1500 x D700 x H850
- Capacity : 375L
- Refrigerant : R-134a



LSRT-3B-1800

- W1800 x D700 x H850
- Capacity : 474L
- Refrigerant : R-134a

SIDE MOUNT SALAD PREP TABLE - HOOD Wide door option available



LHRT-1B-900

- W900 x D700 x H1020
- Capacity : 197L
- Refrigerant : R-134a



LHRT-2B-1200

- W1200 x D700 x H1020
- Capacity : 296L
- Refrigerant : R-134a



LHRT-2B-1500

- W1500 x D700 x H1020
- Capacity : 375L
- Refrigerant : R-134a



LHRT-3B-1800

- W1800 x D700 x H1020
- Capacity : 474L
- Refrigerant : R-134a

SIDE MOUNT UNDERCOUNTER - WORK TOP Depth in 600&750mm, Wide door and Drawer options available



LWRT-1B-900

- W900 x D700 x H996
- Capacity : 213L
- Refrigerant : R-134a



LWRT-2B-1200

- W1200 x D700 x H996
- Capacity : 300L
- Refrigerant : R-134a



LWRT-2B-1500

- W1500 x D700 x H996
- Capacity : 411L
- Refrigerant : R-134a / R-404A



LWRT-3B-1800

- W1800 x D700 x H996
- Capacity : 521L
- Refrigerant : R-134a / R-404A

SIDE MOUNT UNDERCOUNTER - GLASS Depth in 600&750mm option available



LGRT-1B-900

- W900 x D700 x H850
- Capacity : 213L
- Refrigerant : R-134a



LGRT-2B-1200

- W1200 x D700 x H850
- Capacity : 300L
- Refrigerant : R-134a



LGRT-2B-1500

- W1500 x D700 x H850
- Capacity : 411L
- Refrigerant : R-134a



LGRT-3B-1800

- W1800 x D700 x H850
- Capacity : 521L
- Refrigerant : R-134a



AMERICAN STANDARD REACH-IN

· Temperature Range (Refrigerator: 0°C~7°C / Freezer: -24°C~-3°C)
· International Voltage

BOTTOM MOUNT



LRB-771PC LFB-771PC

- W681 x D787 x H2101
- Capacity : 600L
- Refrigerant : R-134a



LRB-1471PC LFB-1471PC

- W1370 x D787 x H2101
- Capacity : 1245L
- Refrigerant : R-134a / R-404A



LRB-72T LFB-72T

- W2060 x D787 x H2101
- Capacity : 1925L
- Refrigerant : R-134a / R-404A



LRB-771PCG

- W681 x D787 x H2101
- Capacity : 600L
- Refrigerant : R-134a



LRB-1471PCG

- W1370 x D787 x H2101
- Capacity : 1245L
- Refrigerant : R-134a / R-404A



AMERICAN STANDARD UNDERCOUNTER

· Temperature Range (Refrigerator: 0°C~7°C / Freezer: -24°C~-3°C)
· International Voltage

REAR MOUNT UNDERCOUNTER Drawer, Work top options available, Display Thermometer option



LUCR27 LUCF27

- W699 x D762 x H912
- Capacity : 199L
- Refrigerant : R-134a



LUCR36 LUCF36

- W923 x D762 x H912
- Capacity : 270L
- Refrigerant : R-134a / R-404A



LUCR48 LUCF48

- W1227 x D762 x H912
- Capacity : 372L
- Refrigerant : R-134a / R-404A



LUCR60 LUCF60

- W1533 x D762 x H912
- Capacity : 474L
- Refrigerant : R-134a / R-404A



LUCR72 LUCF72

- W1839 x D762 x H912
- Capacity : 572L
- Refrigerant : R-134a / R-404A

REAR MOUNT SALAD PREP TABLE Drawer, Sneeze Guard and Removable Lid options available, Display Thermometer option



LST27

- W699 x D762 x H1082
- Capacity : 199L
- Refrigerant : R-134a



LST36

- W923 x D762 x H1082
- Capacity : 270L
- Refrigerant : R-134a



LST48

- W1227 x D762 x H1082
- Capacity : 372L
- Refrigerant : R-134a



LST60

- W1533 x D762 x H1082
- Capacity : 474L
- Refrigerant : R-134a



LST72

- W1839 x D762 x H1082
- Capacity : 572L
- Refrigerant : R-134a

REAR MOUNT MEGA TOP Drawer, Sneeze Guard and Removable Lid options available, Display Thermometer option



LMT27

- W699 x D841 x H1122
- Capacity : 199L
- Refrigerant : R-134a



LMT36

- W923 x D841 x H1122
- Capacity : 270L
- Refrigerant : R-134a



LMT48

- W1227 x D841 x H1122
- Capacity : 372L
- Refrigerant : R-134a



LMT60

- W1533 x D841 x H1122
- Capacity : 474L
- Refrigerant : R-134a



LMT72

- W1839 x D841 x H1122
- Capacity : 572L
- Refrigerant : R-134a



GASTRONORM_GN MODEL

EUROPEAN STANDARD REACH-IN / UNDERCOUNTER

· Temperature Range(Refrigerator: 0°C~7°C / Freezer: -24°C~-3°C)
· International Voltage

TOP MOUNT - GASTRONORM

SIDE MOUNT - GASTRONORM

Work top, Wide door option available



LRT-771E **LFT-771E**

- W681 x D787 x H2092
- Capacity : 620L
- Refrigerant : R-134a / R-404A



LERT-1B-900 **LEFT-1B-900**

- W900 x D700 x H850
- Capacity : 213L
- Refrigerant : R-134a



LERT-2B-1200 **LEFT-2B-1200**

- W1200 x D700 x H850
- Capacity : 300L
- Refrigerant : R-134a



LRT-1471E **LFT-1471E**

- W1370 x D787 x H2092
- Capacity : 1270L
- Refrigerant : R-134a / R-404A



LERT-2B-1500 **LEFT-2B-1500**

- W1500 x D700 x H850
- Capacity : 411L
- Refrigerant : R-134a / R-404A



LERT-3B-1800 **LEFT-3B-1800**

- W1800 x D700 x H850
- Capacity : 521L
- Refrigerant : R-134a / R-404A

GLASS DOOR MERCHANDISER



VERTICAL

HORIZONTAL



LGR-270

- W550xD505xH1775
- Capacity : 272L
- Refrigerant : R-134a



LGR-340

- W570xD585xH1790
- Capacity : 341L
- Refrigerant : R-134a



LGR/F-420

- W650xD590xH1850
- W670xD690xH1952
- Capacity : 420L
- Refrigerant : R-134a



LGR-520

- W690xD620xH1880
- Capacity : 515L
- Refrigerant : R-134a



LGR-290H

- W880xD560xH1250
- Capacity : 290L
- Refrigerant : R-134a



LGR-390H

- W1280xD560xH1250
- Capacity : 390L
- Refrigerant : R-134a



LGR-960H

- W1055xD760xH2060
- Capacity : 958L
- Refrigerant : R-404A



LGR-1300H

- W1420xD760xH2060
- Capacity : 1293L
- Refrigerant : R-404A

MULTI-PURPOSE DEHYDRATOR



DY-70H

- W650 x D639 x H1283
- Capacity : 3 kg per tray
- Number of trays : 7



DY-110H

- W640 x D811 x H1822
- Capacity : 4 kg per tray
- Number of trays : 11



DY-220H

- W1260 x D811 x H1822
- Capacity : 4 kg per tray
- Number of trays : 22



DY-330H

- W1900 x D811 x H1822
- Capacity : 4 kg per tray
- Number of trays : 33



PIZZA PREP TABLE

· Drawer option available



LPT-44

- W1128 x D926 x H1065
- Capacity : 320L
- Refrigerant : R-134a



LPT-67

- W1702 x D926 x H1065
- Capacity : 572L
- Refrigerant : R-134a



LPT-93

- W2370 x D926 x H1065
- Capacity : 872L
- Refrigerant : R-404A



CHEF BASE

· Marine edge option available



LCB-36

- W914 x D787 x H637
- Capacity : 166L
- Refrigerant : R-134a



LCB-48

- W1219 x D787 x H637
- Capacity : 244L
- Refrigerant : R-134a



LCB-53

- W1340 x D787 x H637
- Capacity : 277L
- Refrigerant : R-134a



LCB-60

- W1524 x D787x H637
- Capacity : 277L
- Refrigerant : R-134a



LCB-71

- W1790 x D787 x H637
- Capacity : 405L
- Refrigerant : R-134a



LCB-74

- W1882 x D787 x H637
- Capacity : 405L
- Refrigerant : R-134a



LCB-83

- W2134 x D787 x H637
- Capacity : 487L
- Refrigerant : R-134a



LCB-86

- W2192 x D787 x H637
- Capacity : 487L
- Refrigerant : R-134a



LCB-96

- W2440 x D787 x H637
- Capacity : 606L
- Refrigerant : R-134a



LCB-98

- W2489 x D787 x H637
- Capacity : 606L
- Refrigerant : R-134a



UNDERBAR EQUIPMENT

· Stainless Steel option available

BACK BAR SOLID DOOR

BEER DISPENSER



LBB-24-1B

- W595xD749xH995
- Capacity : 198L
- Refrigerant : R-134a



LBB-60-2B

- W1500xD688xH940
- Capacity : 538L
- Refrigerant : R-134a



LBB-70-2B

- W1500xD688xH940
- Capacity : 651L
- Refrigerant : R-134a



LBB-90-3B

- W1755xD688xH940
- Capacity : 892L
- Refrigerant : R-134a



LBD-24-1B

- W595xD749xH995
- Capacity : 198L
- Refrigerant : R-134a



LBD-60-2B

- W1500xD688xH940
- Capacity : 538L
- Refrigerant : R-134a



LBD-70-2B

- W1755xD688xH940
- Capacity : 651L
- Refrigerant : R-134a



LBD-90-3B

- W2295xD688xH940
- Capacity : 892L
- Refrigerant : R-134a

BACK BAR GLASS DOOR



LBB-24-1BG

- W595 x D749 x H995
- Capacity : 198L
- Refrigerant : R-134a



LBB-60-2BG

- W1500 x D688 x H940
- Capacity : 538L
- Refrigerant : R-134a



LBB-70-2BG

- W1755 x D688 x H940
- Capacity : 651L
- Refrigerant : R-134a



LBB-90-3BG

- W2295 x D688 x H940
- Capacity : 892L
- Refrigerant : R-134a

BAKERY SHOWCASE

- SMART DIGITAL CONTROLLER WITH TEMPERATURE DISPLAY
- PAIR GLASS TO MINIMIZE CONDENSATION
- INTERNAL LED LAMP



CAKE, BREAD RECTANGULAR TYPE

● BLACK ● STAINLESS

LBS-ST090

Model Name	Dimension(WxDxH)	Temperature Range
LBS-ST090	900x650x1050	3-8°C
LBS-ST120	1200x650x1050	
LBS-ST150	1500x650x1050	
LBS-ST180	1800x650x1050	
LBS-ST090-12H	900x650x1200	3-8°C
LBS-ST120-12H	1200x650x1200	
LBS-ST150-12H	1500x650x1200	
LBS-ST180-12H	1800x650x1200	
LBS-ST090-15H	900x650x1500	3-8°C
LBS-ST120-15H	1200x650x1500	
LBS-ST150-15H	1500x650x1500	
LBS-ST180-15H	1800x650x1500	



CAKE, BREAD ROUND TYPE

● BLACK ● STAINLESS

LBS-ST090R

Model Name	Dimension(WxDxH)	Temperature Range
LBS-ST090R	900x650x1050	3-8°C
LBS-ST120R	1200x650x1050	
LBS-ST150R	1500x650x1050	
LBS-ST180R	1800x650x1050	
LBS-ST090R-12H	900x650x1200	3-8°C
LBS-ST120R-12H	1200x650x1200	
LBS-ST150R-12H	1500x650x1200	
LBS-ST180R-12H	1800x650x1200	
LBS-ST090R-15H	900x650x1500	3-8°C
LBS-ST120R-15H	1200x650x1500	
LBS-ST150R-15H	1500x650x1500	
LBS-ST180R-15H	1800x650x1500	



OPEN TYPE

● STAINLESS

LFS-ST120

Model Name	Dimension(WxDxH)	Temperature Range
LFS-ST120	1200x750x1800	3-8°C
LFS-ST150	1500x750x1800	
LFS-ST180	1800x750x1800	
LFS-ST210	2100x750x1800	
LFS-ST240	2400x750x1800	



DRAWER TYPE SHOWCASE

● STAINLESS

LDS-ST090

Model Name	Dimension(WxDxH)	Temperature Range
LDS-ST090	900x800x1000	3-8°C



DISH WASHER

01 UNDER COUNTER TYPE

02 DOOR TYPE

03 RACK CONVEYOR TYPE

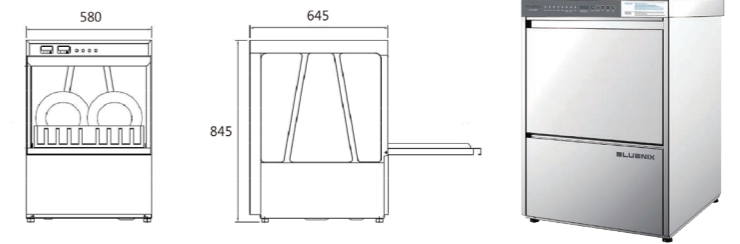


UNDER COUNTER TYPE

LDU-9600

Features

- Save water consumption / Adjustable legs
- Convenient door opening and closing
- Reduce the noise by dual structure
- Easy operation, installation and relocation



Model Name	Exterior Dimension (mm)	Weight (kg)	Voltage	Washing Tank				Rinsing Tank				Maximum Use Power (kw)
				Washing Time (sec)	Washing Motor (kw)	Tank Volume (L)	Tank Temp (°C)	Rinsing Time (sec)	Rinsing Motor (kw)	Tank Volume (L)	Tank Temp (°C)	
LDU-9600	580x645x845	70	Single phase ·220V 60hz ·220V 50hz	30-99	0.3	25	55	3-25	0.1	25	55	2.8

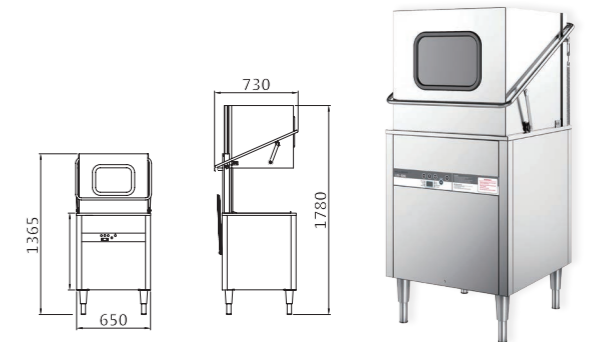
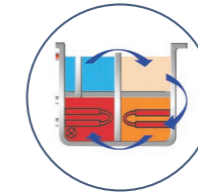
DOOR TYPE

LDD-9200

Features

- Built-in booster : 75-90°C final rinsing temperature without separate heating system
- Automatic peristaltic pumps for both liquid detergent and rinse
- Adjustable legs

Patent No.10-1293019



Model Name	Exterior Dimension (mm)	Weight (kg)	Voltage	Washing Tank				Rinsing Tank				Maximum Use Power (kw)
				Washing Time (sec)	Washing Motor (kw)	Tank Volume (L)	Tank Temp (°C)	Rinsing Time (sec)	Rinsing Motor (kw)	Tank Volume (L)	Tank Temp (°C)	
LDD-9200	650x700x1365	95	Single phase ·220V 60hz ·220V 50hz	20-100 (5unit adjustment)	0.75	42	55-60	6-24 (1second unit adjustment)	0.1	27	75-90	3.8

RACK CONVEYOR TYPE

LRC-400G/S

Features

- Automatic heating system
- Option for gas type and steam type
- Dual filter system
- High temperature pasteurization for rinsing
- Easy operation

Steam Type

- Contact Piping(A) : 32
- Steam Consumption(kg/hr) : 72
- Power Consumption(kw) : 3.2

Gas Type

- Contact Piping(A) : 15
- Tank Heater(kw) : 6
- Rinsing Pump(kw) : 0.2
- Power Consumption(kw) : 9.4



Model Name	Exterior Dimension (mm)	Cleaning Capacity (Food tray/h)	Operating Motor (kw)	Speed (M/min)	Washing Pump (kw)	Washing Pump Capacity (L/min)	Tank Capacity (L)	Rinsing Capacity (L/Hr)	Water Supply Piping (A)	Drain Piping (A)	Voltage Phase (V)
LRC-400G/S (Gas type / Steam type)	1850x707x1555	230	0.2	1.95	3.0	900x2	70x2	480	20	40	220/380